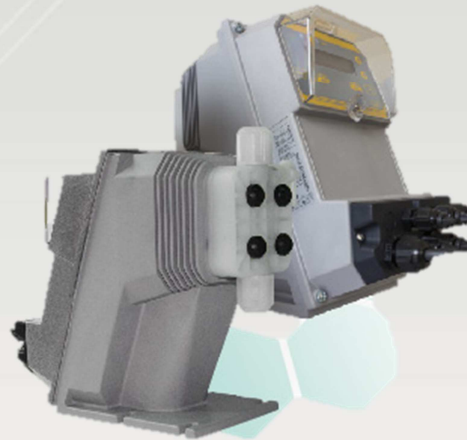


# Water Treatment



## GEA R MT

### ELECTROMAGNETIC PUMPS ADJUSTABLE STROKE LENGTH AND FREQUENCY



## Main characteristics

- Flow rate up to 18 l / h; pressures up to 16 bar
- Head and PVDF kits, for maximum chemical compatibility
- The ceramic balls guarantee perfect tightness and excellent chemical compatibility
- Long life of the diaphragm Teflon: tested for 5 years of continuous operation
- The innovative design of the diaphragm and the production system provide exceptional work performance
- The continuous replacement of the diaphragm is not required reduced maintenance
- Power 100/240 Vac 50/60 Hz
- Digital Proportional Flow to:
  - analog signal 0 \ 4 to 20 mA selectable
  - digital signal 1: n; 1: c (batch) or directly in ppm
- Digital flow regulation with the possibility of setting the maximum flow rate

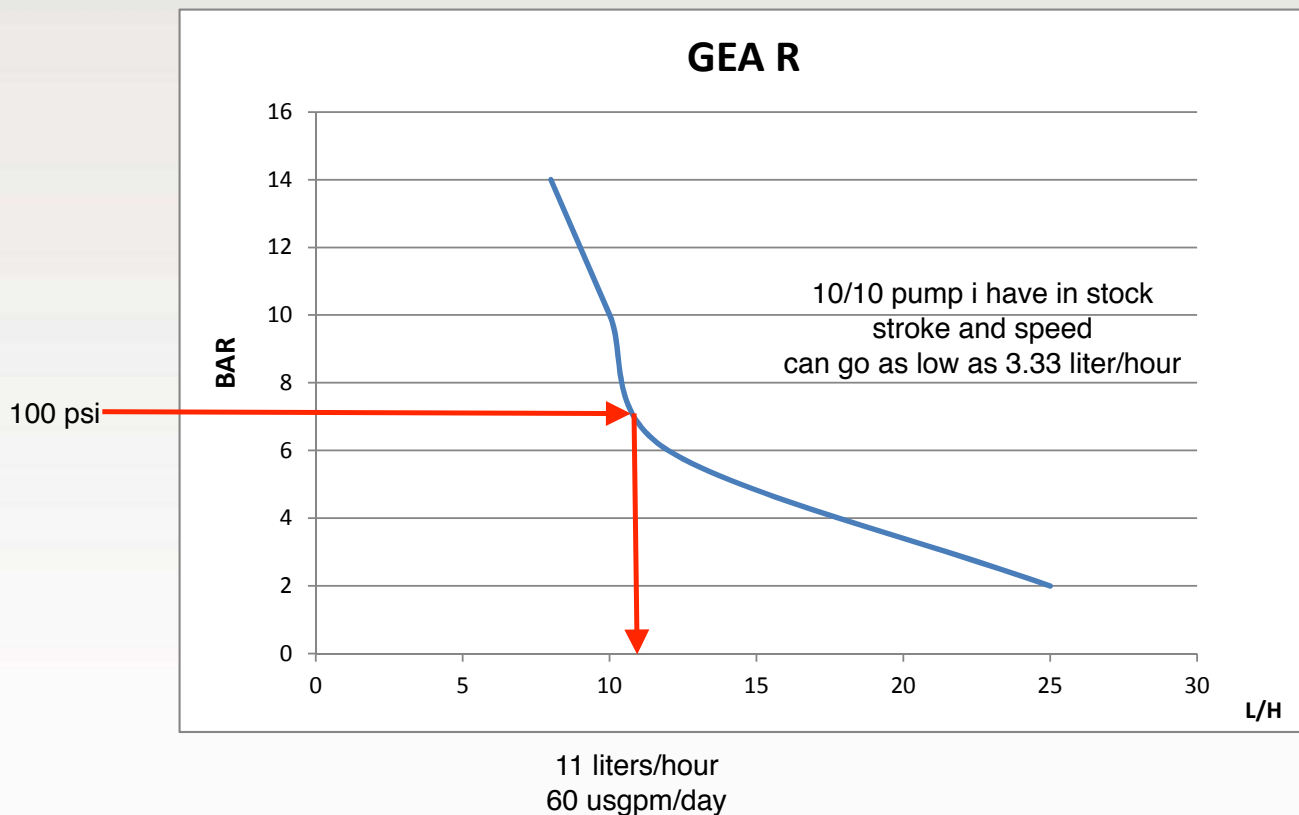
# Water Treatment



## Performance data

PERFORMANCES TEST HAS BEEN DONE AT AMBIENT TEMPERATURE, WITH WATER, AT 1,5 mt SUCTION HEIGHT

FLOW RATES	PRESSURES	CC/IMP.	CONNECTIONS	STROKES/MIN..	CONSUMPTION	
8 l/h	14 bar	0,49	4x6	270	15 watt	26 watt
10 l/h	10 bar	0,62	4x6	270	15 watt	26 watt
12 l/h	6 bar	0,74	4x6	270	15 watt	26 watt
25 l/h	2 bar	1,54	4x6	270	15 watt	26 watt



# Water Treatment



## Main application

- **Electroplating industry, Pickling, Degreasing and metal treatments generally**
- **Cooling Tower**
- **Potable water application**
- **Reverse osmosis application**
- **Paper industry**
- **Ceramic industry**

## Installation kit



# Water Treatment



## Accessories

### PRIMING AID



- Capacity: 300 ml
- PVC body
- FPM seals
- Connections: 4x6mm – 8x12mm

### AC.VS



- Back-pressure valve up to 10 bar
- PTFE diaphragm

### AC.VIE



- Extractable injection valve PVC 1/2" g.m. IN - 1/2" g.m. OUT



- Extractable injection valve with ball valve PVC 1/2" g.m. IN - 1/2" g.m. OUT

### AC.SL



- Floating level probe with bipolar cable (2 mt) with support

### AC.VSA (ATHENA.1 .2 .3)



- PvdF Pump head with automatic bleed valve
- Flow reduction, according to the quantity of air in the liquid

### AC.SF



- Flow sensor
- FPM Seals
- 4x6 / 8x12 connections

### AC.VM PVDF

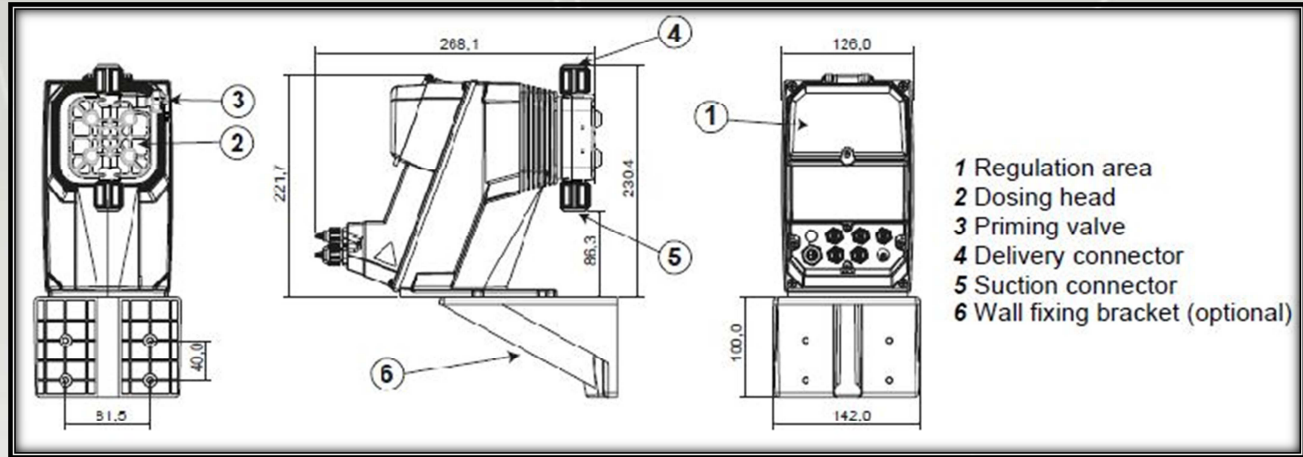


- Multifunction valve, antisiphon, backpressure, safety
- PVDF body, PTFE membrane
- Adjustable Pressure 0-5 bar • Relief Pressure 0-18 bar



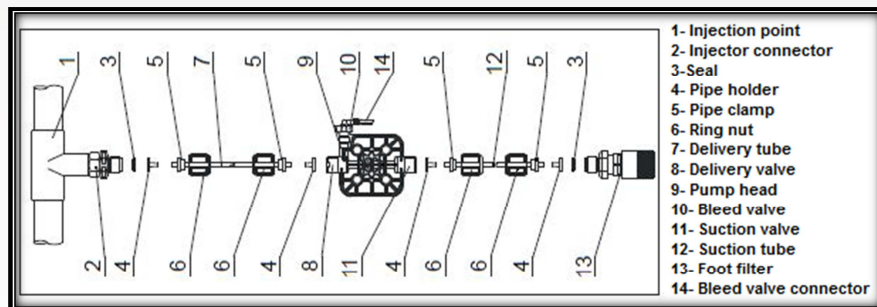
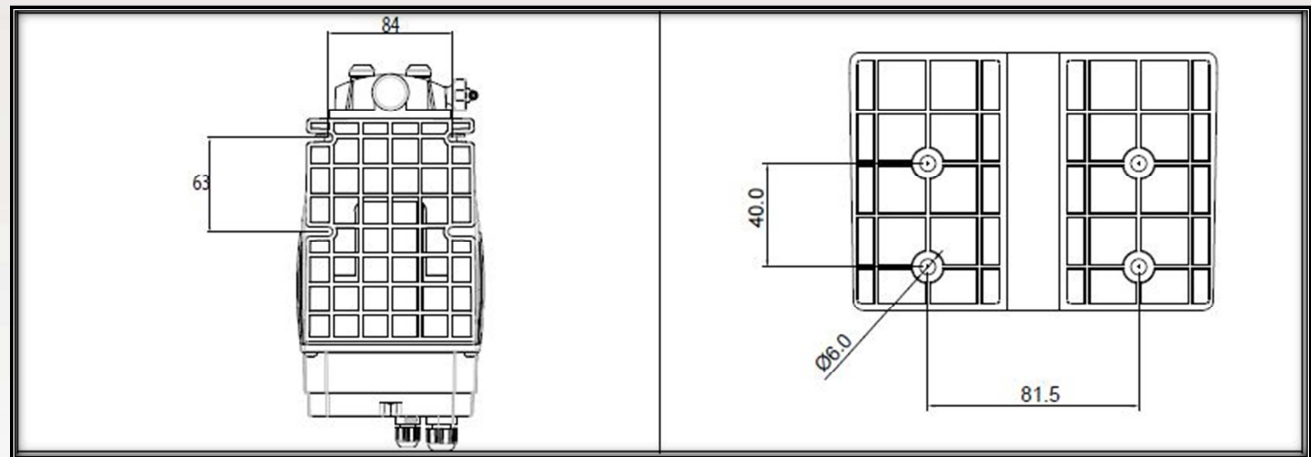
# Water Treatment

## Dimensions



- 1 Regulation area
- 2 Dosing head
- 3 Priming valve
- 4 Delivery connector
- 5 Suction connector
- 6 Wall fixing bracket (optional)

## Fixing templates



- 1- Injection point
- 2- Injector connector
- 3- Seal
- 4- Pipe holder
- 5- Pipe clamp
- 6- Ring nut
- 7- Delivery tube
- 8- Delivery valve
- 9- Pump head
- 10- Bleed valve
- 11- Suction valve
- 12- Suction tube
- 13- Foot filter
- 14- Bleed valve connector

## Plumbing